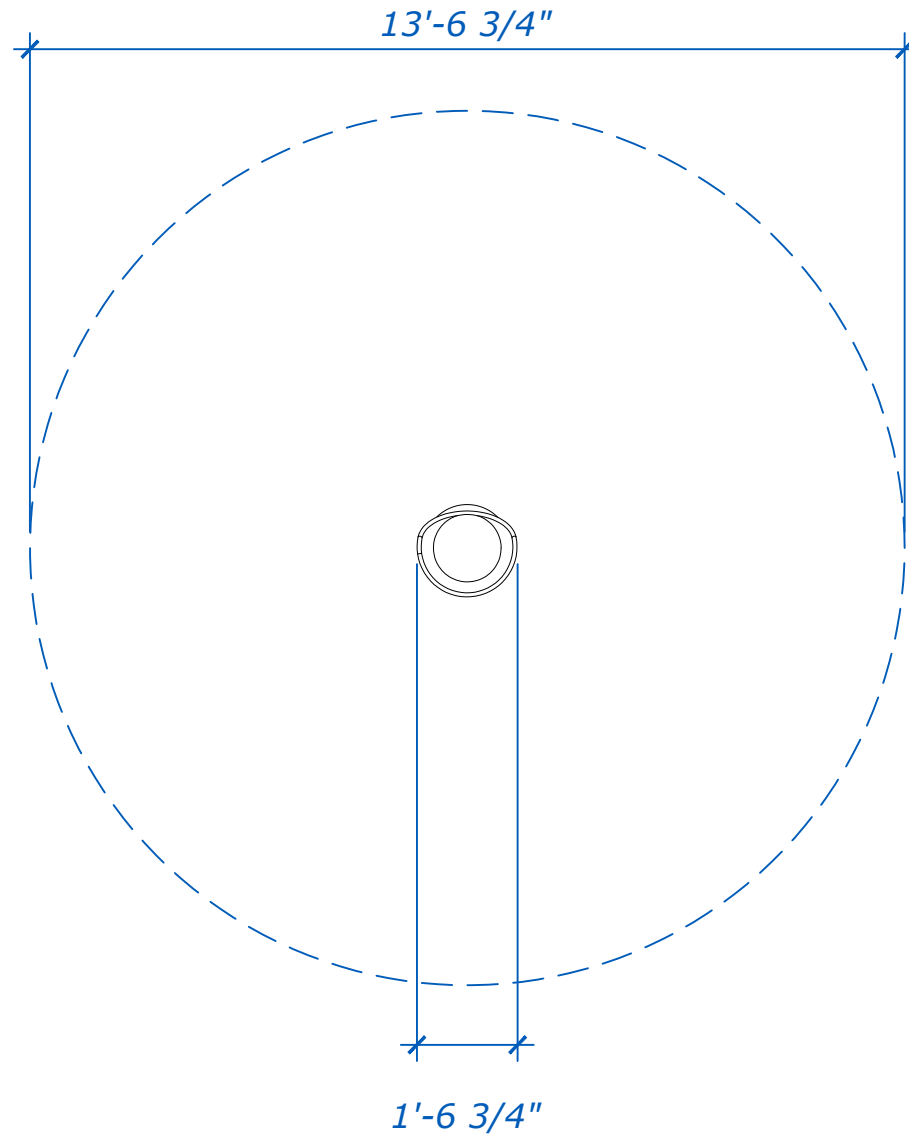


PLAN



Dotti (Spinning)

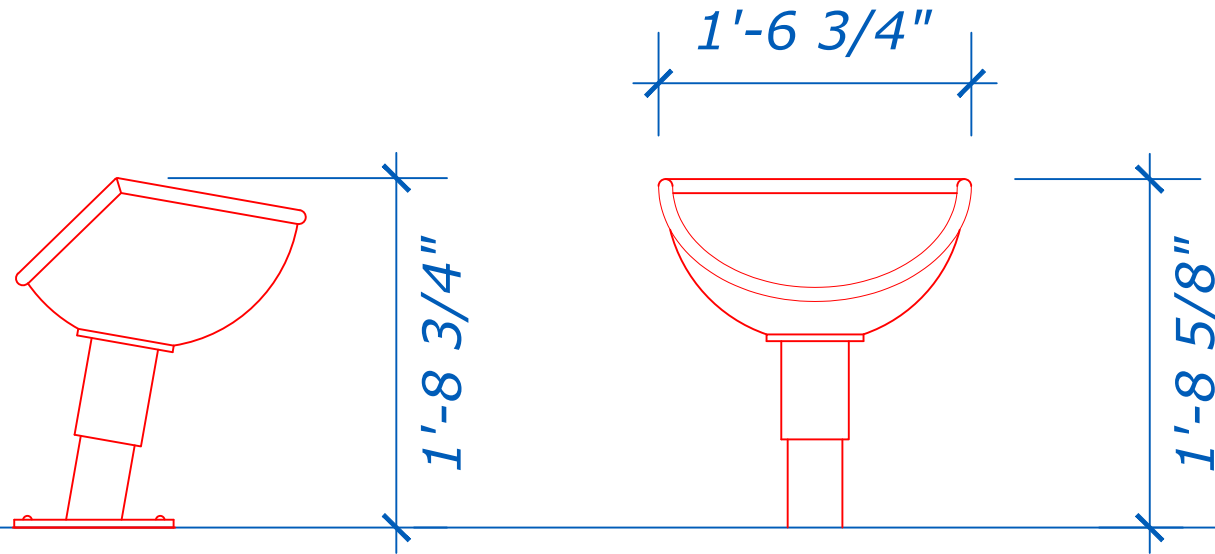


phone 617-744-0772 fax 617-744-1037
www.goric.com Email Info@goric.com

DATE: 07/2023	BY: APT
SCALE: NTS	
ITEM #: ---	
MANUFACTURER: LINIEM	PAGE #: 1 OF 4

ELEVATION

game level



A.) Tilted

B.) Straight

Dotti (Spinning)



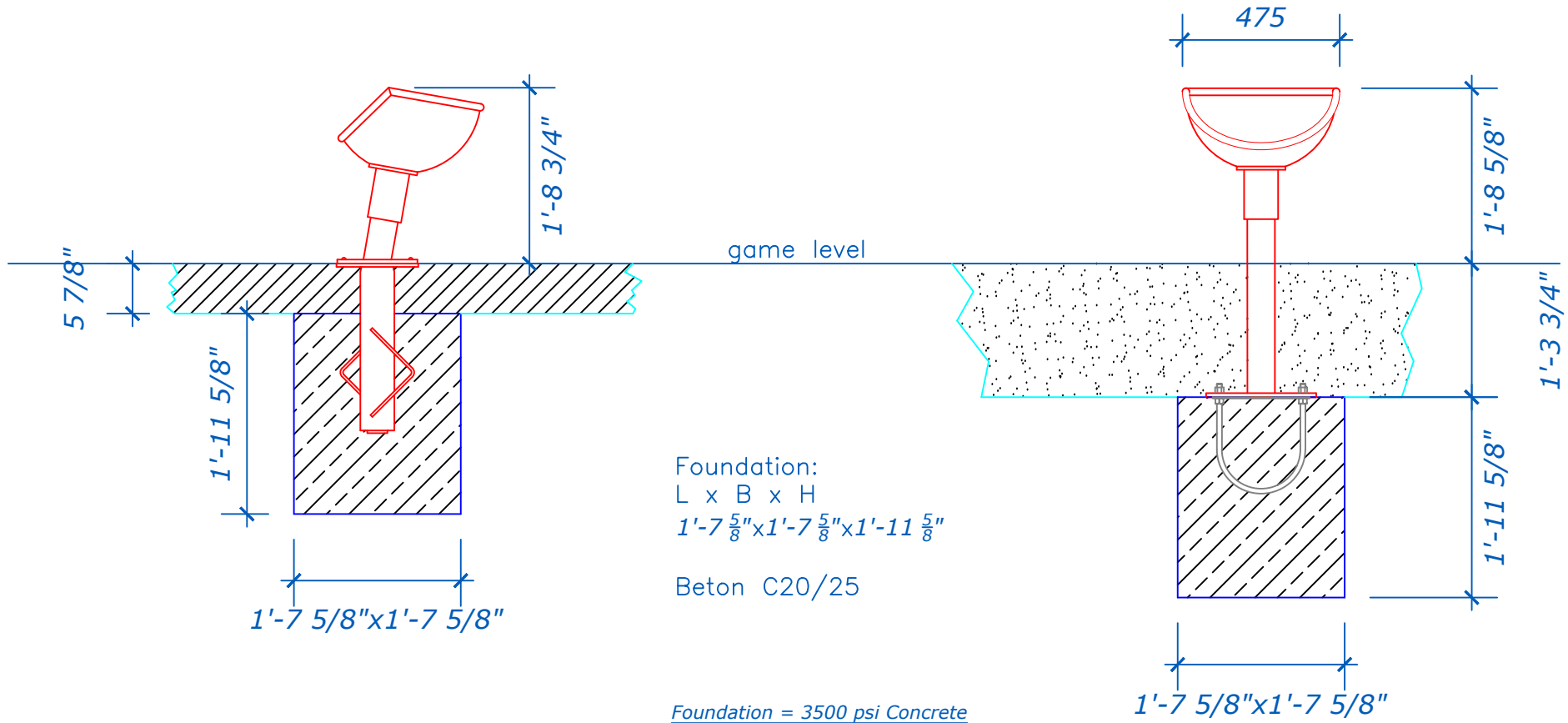
phone 617-744-0772 fax 617-744-1037
www.goric.com Email Info@goric.com

DATE: 07/2023	BY: APT
SCALE: NTS	
ITEM #: ---	
MANUFACTURER: LINIEM	PAGE #: 2 OF 4

FOUNDATION PLAN

A.) Installation with 5 7/8" foundation cover in solid ground or synthetic fall protection

B.) Installation with 1' 3 3/4" foundation cover in loose fall protection



* CHECK FOR LOCAL FROST LINE REQUIREMENTS

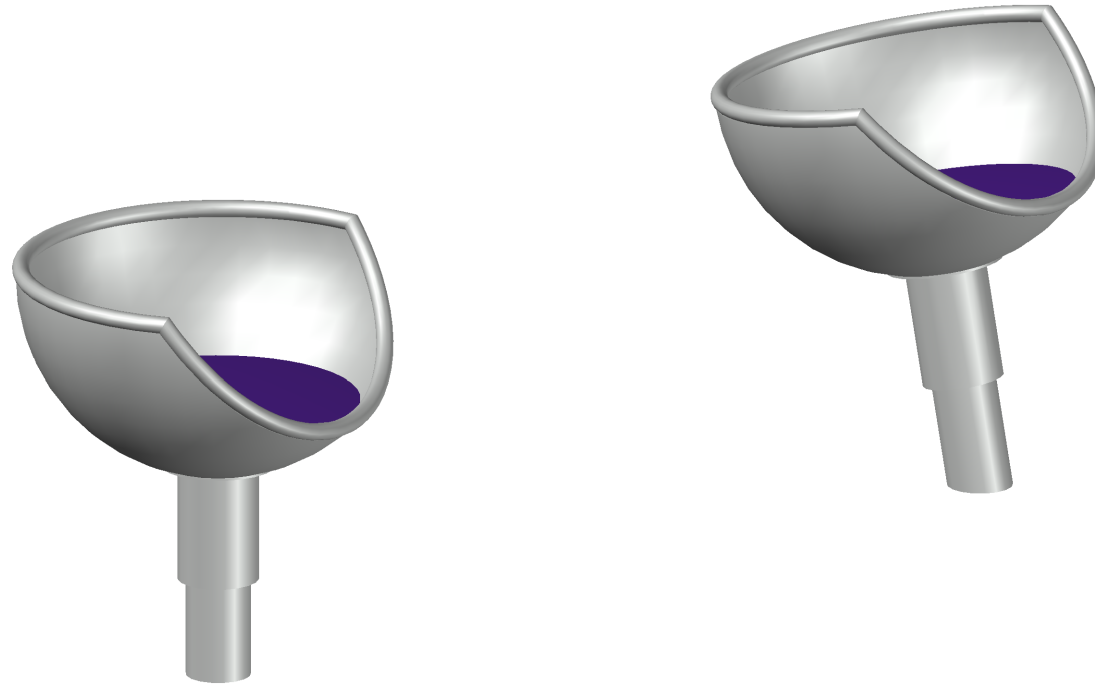
Dotti (Spinning)



phone 617-744-0772 fax 617-744-1037
www.goric.com Email Info@goric.com

DATE: 07/2023	BY: APT
SCALE: NTS	
ITEM #: ---	
MANUFACTURER: LINIEM	PAGE #: 3 OF 4

3D VIEW



Dotti (Spinning)



phone 617-744-0772 fax 617-744-1037
www.goric.com Email Info@goric.com

DATE: 07/2023	BY: APT
SCALE: NTS	
ITEM #: ---	
MANUFACTURER: LINIEM	PAGE #: 4 OF 4